

"6U BAND OMNI-DIRECTIONAL ANTENNA"

EK-OA7/H

The EK-OA7/H Omni-directional antenna, thanks to its compact size and low weight, can be used for helicopters applications in Electronic News Gathering Systems.

The radiation lobe has been shaped so as to keep the received level constant on +/- 20° Helicopter tilt, furthermore it has been designed to not have excessive downward gain when the aircraft is close to the vertical reception point.



Features

- Omni-directional
- Anodized Aluminium
- Quick Installation
- Freq. Range 6.4 ÷ 7.1 GHz
- UV- resistant Teflon
- High strength direct mount
- Compact size for reduced air resistance
- Designed for mounting on all airborne systems

Applications

- Mobile Radio Links
- ENG Systems
- Video Surveillance
- Live Events
- Security Applications



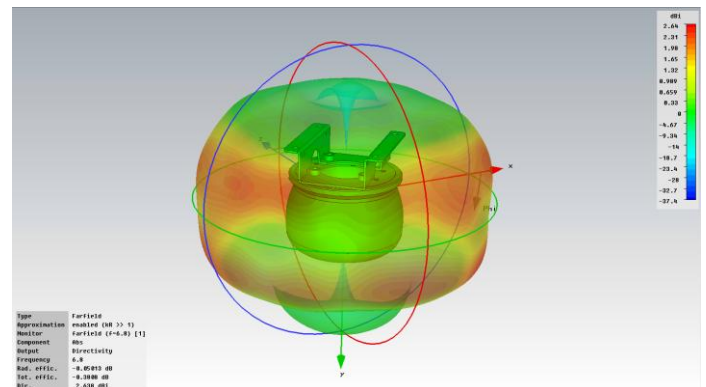
ALL4DIGIT
SYSTEM

DVB
Digital Video
Broadcasting

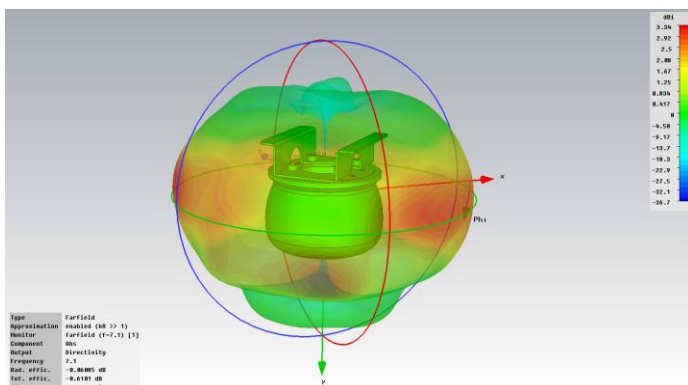
Technical specifications

Gain	3.5dB ISO @ 7100 MHz
Polarization	Vertical
Frequency Range	6400 MHz ÷ 7100 MHz
H Flatness	+/- 1 dB over 360°
H Flatness	+/- 2 dB over +/- 20° @ 6400 MHz
V Flatness	+/- 2 dB over +/- 20° @ 6800 MHz
V Flatness	+/- 1.5 dB over +/- 20° @ 7100 MHz
Impedance	50 ohm
Temperature	-50° to +70° C
Return Loss	better then 8.5 dB from 6.4 to 7.1 GHz
Material	Teflon, EN AW-6082
Output Connector	N Female
IP Rating	IP 67
Mass	1050 gr
Power Rating	40W rms, 400W Peak

Radiation Pattern @ 6800 MHz



Radiation Pattern @ 7100 MHz



Strada Com. Savonesa n° 9
 15057 Rivalta Scrivia (AL)
 ITALY
 Tel. +39 0131 860205 r.a.
 Fax +39 0131 860993
 e-mail: info@eurotek.eu
<http://www.eurotek.eu>