

Systems Mux/Demux Flexible MODEMS DVB-S/DVB-T
OFDM systems HD/SD Encoders Mux/Demux COFDM systems
ers Flexible MODEMS DVB-S/DVB-T Backbone systems

MULTICHANNEL DTV TRANSMITTERS N+0, N+1, N+2



ALL4DIGIT
SYSTEM

DVB
Digital Video
Broadcasting

 **Eurotek**
Broadcast Solutions

...be better connected



HIGHLIGHTS

- Multiple RF channels output without limit simply adding several frames
- N+0, N+1, N+2 Multichannel Transmitter complete of changover
- Integrated DVB-S/S2 Multistream receiver
- Integrated GPS Professional Receiver with direct power supply for preamplified antenna and improved filtering
- GPS - Exciter handshake system for improved reliability
- Redundant GPS
- Excellent MER >36 dB
- Full management by SNMP & WEB

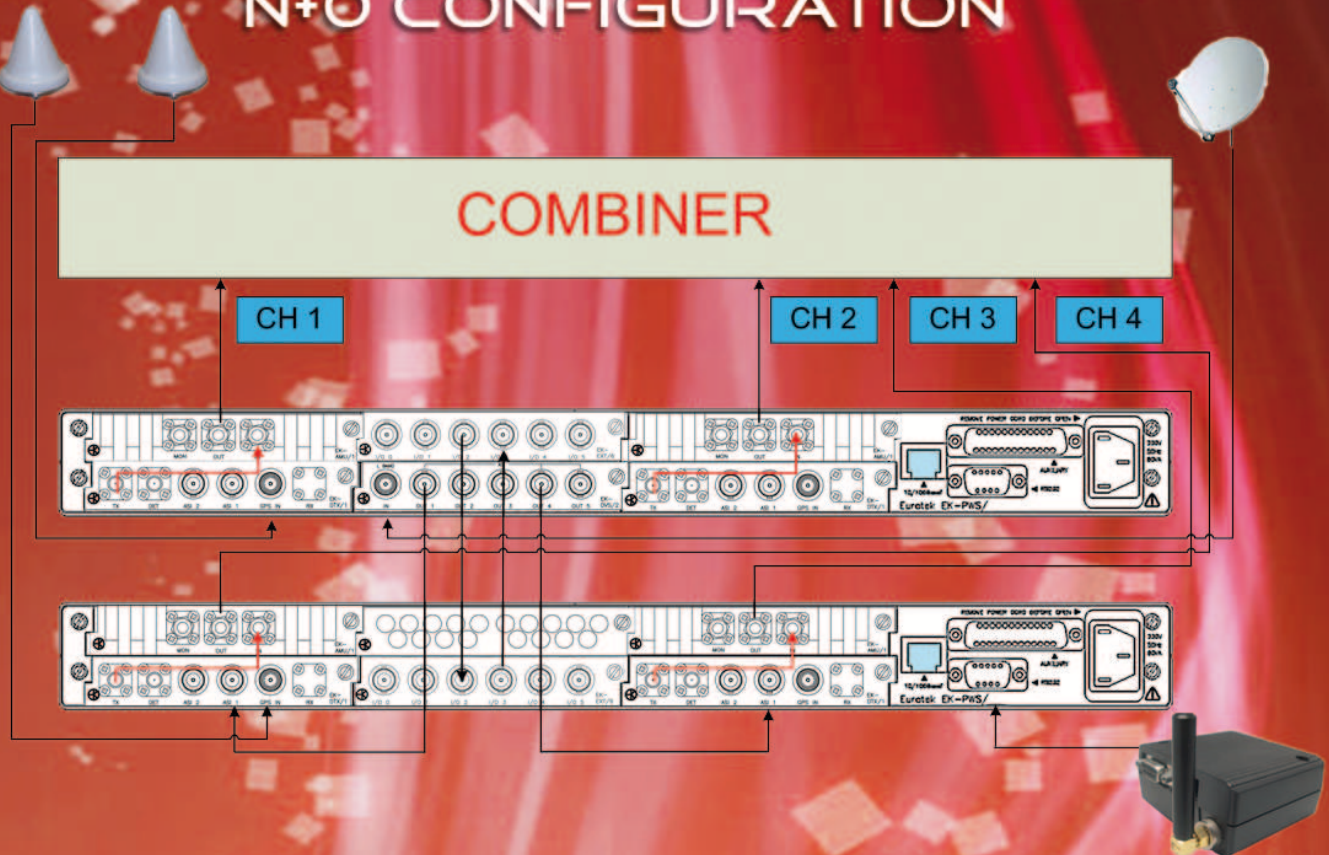
OPTIONS

- Redundant DVB-S/S2 Multistream receiver
- Rack Cabinets
- GPS Antenna Kit
- Filters and Combiners
- LNB & satellite dish
- GSM Modem kit

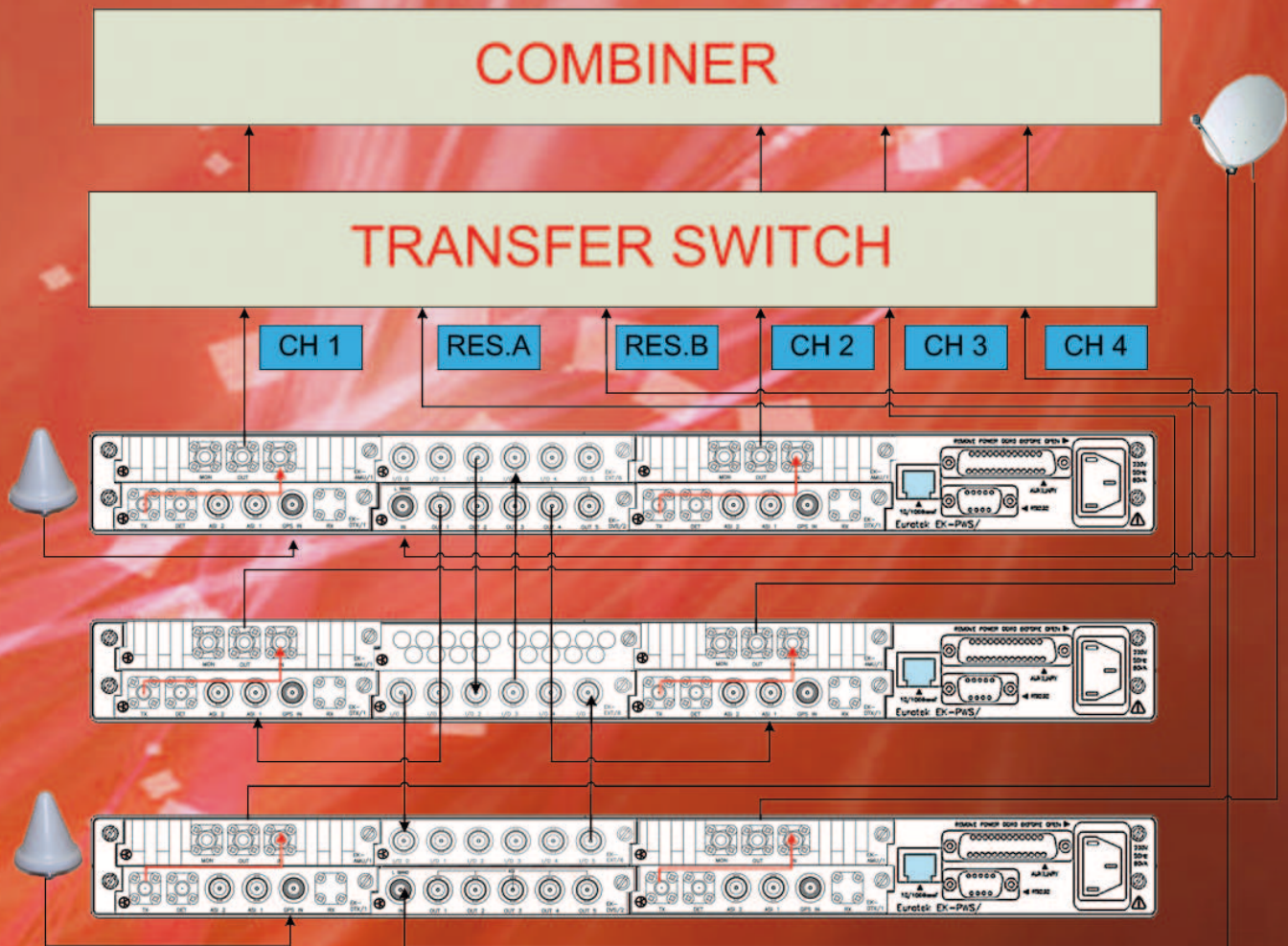
La piattaforma "ALL4DIGIT" grazie alla grande flessibilità e modularità può essere configurata anche come Trasmettitore Multicanale Digitale. Ogni Mainframe può contenere fino a due trasmettitori da 4 Watt rms oltre alla scheda Ricevitore DVB-S/S2 Multistream. Utilizzando un numero adeguato di Mainframe si possono realizzare configurazioni N+0, N+1, N+2 senza limiti di uscite RF in canale. Ogni trasmettitore è configurato con i suoi parametri di diffusione (canale, modulazione, precorrezione, etc..) ed in caso di guasto viene sostituito dalla riserva che ne assume le caratteristiche. Inoltre inserendo ulteriori schede Ricevitore DVB-S/S2 Multistream opzionali, è possibile proteggere anche la sezione di ricezione satellitare.

The "ALL4DIGIT" platform thanks to the big flexibility and modularity can be configured also as Digital Multichannel Transmitter. Each mainframe can contain till to two 4 Watt rms transmitters more than to the RX Multistream DVB-S/S2 board. Using an appropriate number of Mainframe it is possible to realise configuration N+0, N+1, N+2 without limits in RF output channel. Each transmitter is configured with its diffusion parameters (channel, modulation, pre-correction, etc) and in case of fault it has been substituted with the reserve that assumes its characteristic. Moreover inserting more optional boards DVB-S/S2 Multistream, it is possible to protect the section of satellite reception.

N+0 CONFIGURATION



N+2 CONFIGURATION



TECHNICAL FEATURES

TECHNICAL SPECIFICATION		Receiver : EK-DVS/2 Exciter : EK-DTX/1 Amplifier : EK-AMU/1
INPUT	LNB (L Band)	Input level: -10 ÷ -60 dBm Standar ref.: EN 302 307 / EN 300 421 Frequency range: 950 ÷ 2150 MHz Connector: F FEMALE
	GPS	Integrated with improved filtering Connector: F FEMALE +5Vdc for ext. preamp.
DVB-T/DVB-H MODULATOR SECTION	STANDARD REF.	EN 300 744
	DATA RATE	Up to 31.67 Mbit/s according to bandwidth and modulation mode
	CONSTELLATION	QPSK,16 QAM,64QAM
	BANDWIDTH	6 MHz, 7 MHz, 8 MHz
	IFFT	2K, 4K, 8K
	GUARD INTERVAL	1/4, 1/8, 1/16, 1/32
	CODE RATES	1/2, 2/3, 3/4, 5/6, 7/8
	SYNCHRONIZATION	MFN,SFN with MIP related operation (ETSI TS 101191)
	AM/PM PRECORR.	INCLUDED
	HIERARCHICAL MODE	ALFA 1, ALFA 2, ALFA 4
	BER	Better then 10E-12
	MER	Better then 36 dB
NIT	Automatic managed	
OUTPUT	OUTPUT RETURN LOSS	-18dB (Typ. -20)
	P.OUT (with pre.)	4 W rms - Shoulder < -40 dBc
POWER CONSUMPTION		40 watt each power amplifier board

EUROTEK SOFTWARE SUITE

