

Eurotek

High Performance Low Profile Antenna

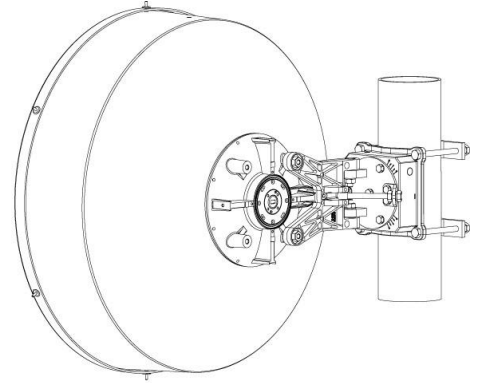


Environmental conditions

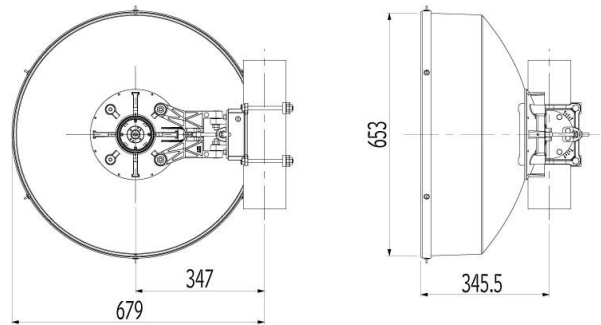
Transportation	According to ETSI 300-019-1-2 Class 2.3 and ETSI 300-019-2-2 Test Specifications T 2.3	
Storage	Weather protected, not temperature controlled storage location.	
	According to ETSI 300-019-1-1 Class 1.2 and ETSI 300-019-2-1 Test Specifications T 1.2	
In use, outdoor location	Non weather protected locations.	
	According to ETSI 300-019-1-4 Class 4.1 and ETSI 300-019-2-4 Test Specifications T 4.1E	
Operating condition	Temperature range	- 50°C to + 70°C
	Relative humidity	up to 100%
	Wind velocity (operating)	45 m/s max (164 km/h)
	Wind velocity (survival)	70 m/s max (252 km/h)
	Wind deflection	< 0.3 times the -3 dB beamwidth at 70 m/s. Specified wind deflections apply for pole mount on a 114 mm pole diameter only and with additional stabilizing struts if foreseen.

High Performance Low Profile Antenna EK-H60

Diameter 0.6 mt. (2 ft.)



Mechanical characteristics	
Diameter	0.6 mt.
Standard colour	RAL 7035
Pole	75÷114 mm
Elevation - fine adjustment	± 20°
Azimuth - fine adjustment	± 10°
Shroud	Low profile
Radome	Rigid plastic
Net weight (pole mount included)	11 kg
Dimensions* (pole mount included) *for pole diameter of 115 mm	Height 653 mm
	Width 679 mm
	Depth 345.5 mm

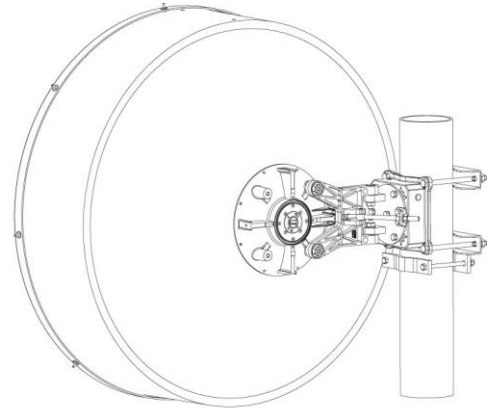


Freq. GHz	Type	Pol.	Gain dBi min in the band			R.L. dB	VSWR	HPBW deg	Isolation dB	XPD dB	F/B dB	RPE ETSI 300 833	Flange IEC Type
			Low	Mid	Top								
5.9-7.125	EK-H60L/6	Sing.	30.0	30.6	31.2	18.0	1.29	4.6	-	30	55	Class 3	PDR 70
	EK-H60LD/6	Dual	29.8	30.4	31.0	18.0	1.29	4.6	35				
7.125-8.5	EK-H60L/7	Sing.	30.0	30.6	31.2	18.0	1.29	4.6	-	30	57	Class 3	PDR 84
	EK-H60LD/7	Dual	29.8	30.4	31.0	18.0	1.29	4.6	35				
10.0-11.7	EK-H60L/1	Sing.	33.9	34.4	35.0	18.0	1.29	3.4	-	30	60	Class 3	PBR 100
	EK-H60LD/1	Dual	33.7	34.2	34.8	18.0	1.29	3.4	35				
12.7-13.25	EK-H60L/13	Sing.	35.3	35.6	35.9	19.1	1.25	2.7	-	30	61	Class 3	PBR 120
	EK-H60LD/13	Dual	35.1	35.4	35.7	19.1	1.25	2.7	35				
14.4-15.35	EK-H60L/14	Sing.	36.3	36.6	36.9	19.1	1.25	2.4	-	30	64	Class 3	PBR 140
	EK-H60LD/14	Dual	36.1	36.4	36.7	19.1	1.25	2.4	35				
17.7-19.7	EK-H60L/18	Sing.	38.7	39.0	39.3	19.1	1.25	2.0	-	30	67	Class 3	PBR 220
	EK-H60LD/18	Dual	38.3	38.7	39.1	19.1	1.25	2.0	35				
21.2-23.6	EK-H60L/23	Sing.	39.8	40.2	40.6	19.1	1.25	1.7	-	30	68	Class 3	PBR 220
	EK-H60LD/23	Dual	39.6	40.0	40.4	19.1	1.25	1.7	35				

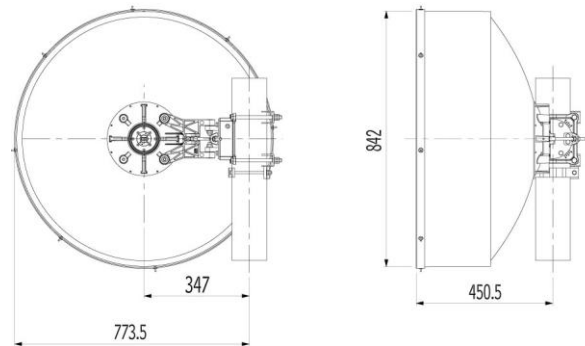
NOTE: For any of the above Parabolic Reflector with feeder single polarisation it is possible to connect the Out Door Unit (ODU) directly in the Antenna between fast locks

High Performance Low Profile Antenna EK-H80

Diameter 0.8 mt. (~ 3 ft.)



Mechanical characteristics	
Diameter	0.8 mt.
Standard colour	RAL 7035
Pole	75÷114 mm
Elevation - fine adjustment	± 20°
Azimuth - fine adjustment	± 10°
Shroud	Low profile
Radome	Rigid plastic
Net weight (pole mount included)	16 kg
Dimensions* (pole mount included)	Height 842 mm
*for pole diameter of 115 mm	Width 842 mm
	Depth 405.5 mm

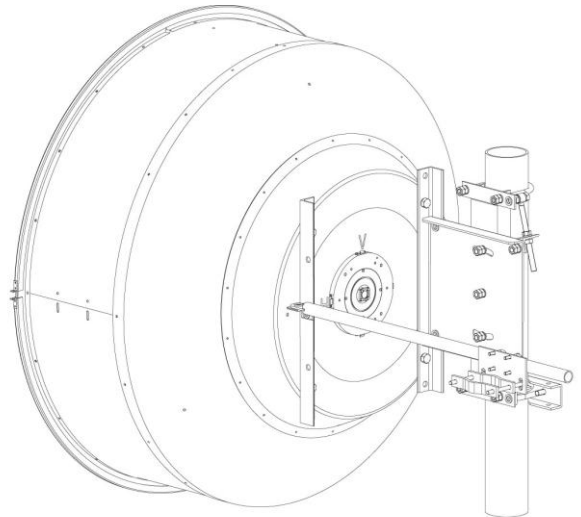


Freq. GHz	Type	Pol.	Gain dBi min in the band			R.L. dB	VSWR	HPBW deg	Isolation dB	XPD dB	F/B dB	RPE ETSI 300 833	Flange IEC Type
			Low	Mid	Top								
5.9-7.125	EK-H80L/6	Sing.	32.9	33.5	34.1	18.0	1.29	4.0	-	30	60	Class 3	PDR 70
	EK-H80LD/6	Dual	32.6	33.2	33.8	18.0	1.29	4.0	35				
7.125-8.5	EK-H80L/7	Sing.	32.9	33.5	34.1	18.0	1.29	4.0	-	30	60	Class 3	PDR 84
	EK-H80LD/7	Dual	32.6	33.2	33.8	18.0	1.29	4.0	35				
10.0-11.7	EK-H80L/1	Sing.	36.3	36.9	37.5	18.0	1.29	2.8	-	30	64	Class 3	PBR 100
	EK-H80LD/1	Dual	36.1	36.7	37.3	18.0	1.29	2.8	35				
12.7-13.25	EK-H80L/13	Sing.	37.6	37.9	38.2	19.1	1.25	2.2	-	30	64	Class 3	PBR 120
	EK-H80LD/13	Dual	37.4	37.7	38.0	19.1	1.25	2.2	35				
14.4-15.35	EK-H80L/14	Sing.	39.7	40.0	40.3	19.1	1.25	2.0	-	30	68	Class 3	PBR 140
	EK-H80LD/14	Dual	39.5	39.8	40.1	19.1	1.25	2.0	35				
17.7-19.7	EK-H80L/18	Sing.	41.0	41.4	41.7	19.1	1.25	1.6	-	30	70	Class 3	PBR 220
	EK-H80LD/18	Dual	40.7	41.1	41.5	19.1	1.25	1.6	35				
21.2-23.6	EK-H80L/23	Sing.	42.7	43.0	43.3	19.1	1.25	1.3	-	30	67	Class 3	PBR 220
	EK-H80LD/23	Dual	42.5	42.8	43.1	19.1	1.25	1.3	35				

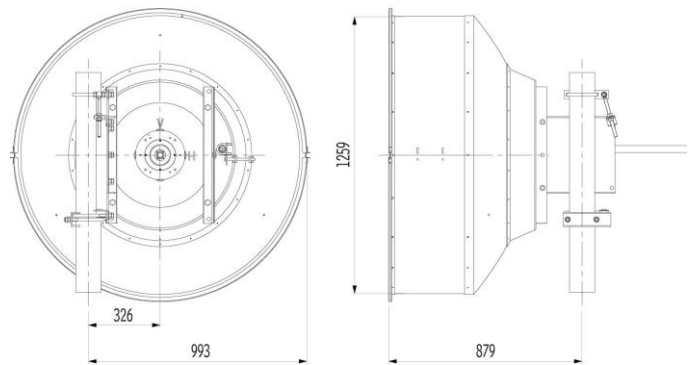
NOTE: For any of the above Parabolic Reflector with feeder single polarisation it is possible to connect the Out Door Unit (ODU) directly in the Antenna between fast locks

High Performance Low Profile Antenna EK-H120

Diameter 1.2 mt. (4 ft.)



Mechanical characteristics		
Diameter	1.2 mt.	
Standard colour	RAL 7035	
Pole	75÷114 mm	
Elevation - fine adjustment	± 15°	
Azimuth - fine adjustment	± 15°	
Shroud	Low profile	
Radome	Rigid plastic	
Net weight (pole mount included)	55 kg	
Dimensions* (pole mount included) *for pole diameter of 115 mm	Height	1259 mm
	Width	1259 mm
	Depth	879 mm



Freq. GHz	Type	Pol.	Gain dBi min in the band			R.L. dB	VSWR	HPBW deg	Isolation dB	XPD dB	F/B dB	RPE ETSI 300 833	Flange IEC Type
			Low	Mid	Top								
4.4-5.0	EK-H120L/4	Sing.	32.0	32.5	32.8	23.0	1.15	3.9	-	34	55	Class 3	N
	EK-H120LD/4	Dual	32.0	32.5	32.8	23.0	1.15	3.9	35				
5.9-7.125	EK-H120L/6	Sing.	36.4	37	37.6	19.1	1.25	2.5	-	30	63	Class 3	PDR 70
	EK-H120LD/6	Dual	36.2	36.8	37.4	19.1	1.25	2.5	35				
7.125-8.5	EK-H120L/7	Sing.	36.4	37	37.6	19.1	1.25	2.5	-	30	63	Class 3	PDR 84
	EK-H120LD/7	Dual	36.2	36.8	37.4	19.1	1.25	2.5	35				
10.0-11.7	EK-H120L/1	Sing.	40.3	40.9	41.5	19.1	1.25	1.8	-	30	69	Class 3	PBR 100
	EK-H120LD/1	Dual	40.1	40.7	41.3	19.1	1.25	1.8	35				
12.7-13.25	EK-H120L/13	Sing.	41.5	41.8	42.1	19.1	1.25	1.4	-	30	68	Class 3	PBR 120
	EK-H120LD/13	Dual	41.3	41.6	41.9	19.1	1.25	1.4	35				
14.4-15.35	EK-H120L/14	Sing.	42.4	42.7	43.0	19.1	1.25	1.2	-	30	70	Class 3	PBR 140
	EK-H120LD/14	Dual	42.2	42.5	42.8	19.1	1.25	1.2	35				
17.7-19.7	EK-H120L/18	Sing.	44.3	44.7	45.1	19.1	1.25	0.9	-	30	73	Class 3	PBR 220
	EK-H120LD/18	Dual	44.1	44.5	44.9	19.1	1.25	0.9	35				
21.2-23.6	EK-H120L/23	Sing.	45.9	46.3	46.7	19.1	1.25	0.8	-	30	72	Class 3	PBR 220
	EK-H120LD/23	Dual	45.7	46.1	46.5	19.1	1.25	0.8	35				

NOTE: For any of the above Parabolic Reflector with feeder single polarisation it is possible to connect the Out Door Unit (ODU) directly in the Antenna between fast locks